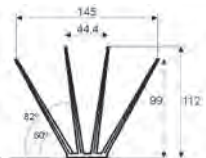


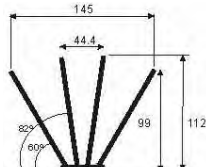


Technical Information

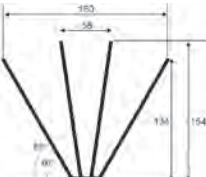
- Birdban spikes are suitable for protecting all roosting sites such as pipes, window sills and ledges.
- To install, simply squeeze a 6-12mm bead of exterior quality silicone sealant/adhesive onto the clean, dry ledge where you are placing the row of BirdBan spikes, then press the spikes firmly into place.
- Each piece measures 335mm across the base.




Standard Pigeon Spikes
Manufactured entirely from high quality translucent UV stabilised polycarbonate.
Spikes: 112mm in length, tapering from 4mm at base to 1mm at tip. Provides 200mm coverage.



Stainless Steel Pigeon Spikes
Base manufactured from high quality translucent UV stabilised polycarbonate.
Spikes: 1.5mm stainless steel - 112mm long. Provides 200mm coverage.



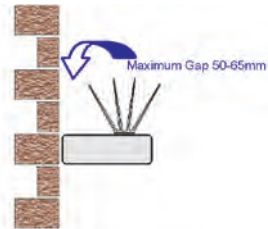
Stainless Steel Gull Spikes
Base manufactured from high quality translucent UV stabilised polycarbonate.
Spikes: 1.5mm stainless steel - 154mm long. Provides 275mm coverage.



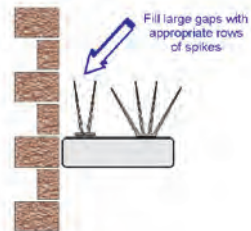
Gutter Attaching Clips
Manufactured from high quality translucent UV stabilised polycarbonate - use to attach all BirdBan spikes to gutters, aerials, satellite dishes, window boxes etc. (any rim from 1mm to 5mm wide).

Installation

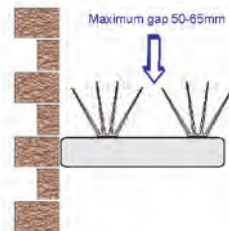
For heavy pressure areas, BirdBan spikes should be installed so that the outer-most spikes overlap the ledge, pipe or window sill by 6-12mm (1/4 - 1/2 inch)



The gap between the wall or window and the back spikes should be no more than 50-65mm (2 - 2 1/2 inches)



If the gap between the wall and the spike is greater than 50-65mm (2 - 2 1/2 inches), then polycarbonate BirdBan spikes can easily be adapted to fit any width by simply snapping off the front and/or rear spikes.



By removing the spikes, BirdBan can be easily adapted to fit neatly onto narrow pipes and ledges.

On really wide ledges, the number of rows of BirdBan spikes are simply increased to fit the gaps.

Available from:

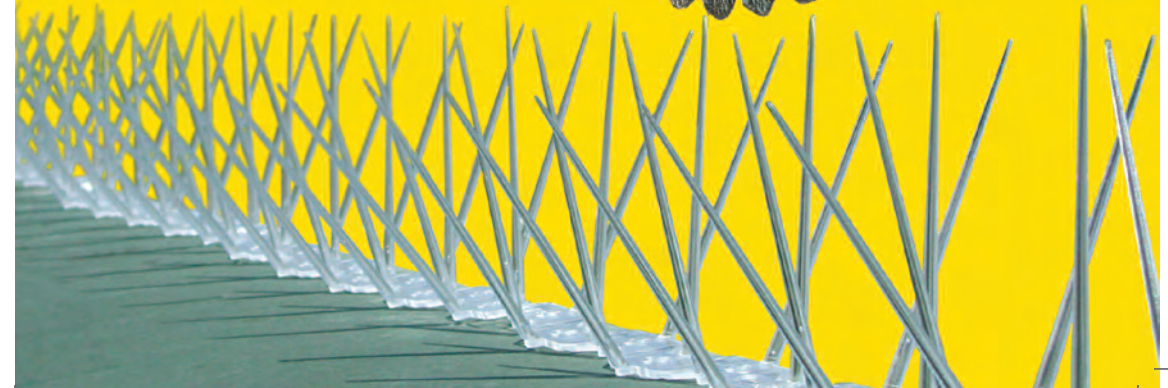
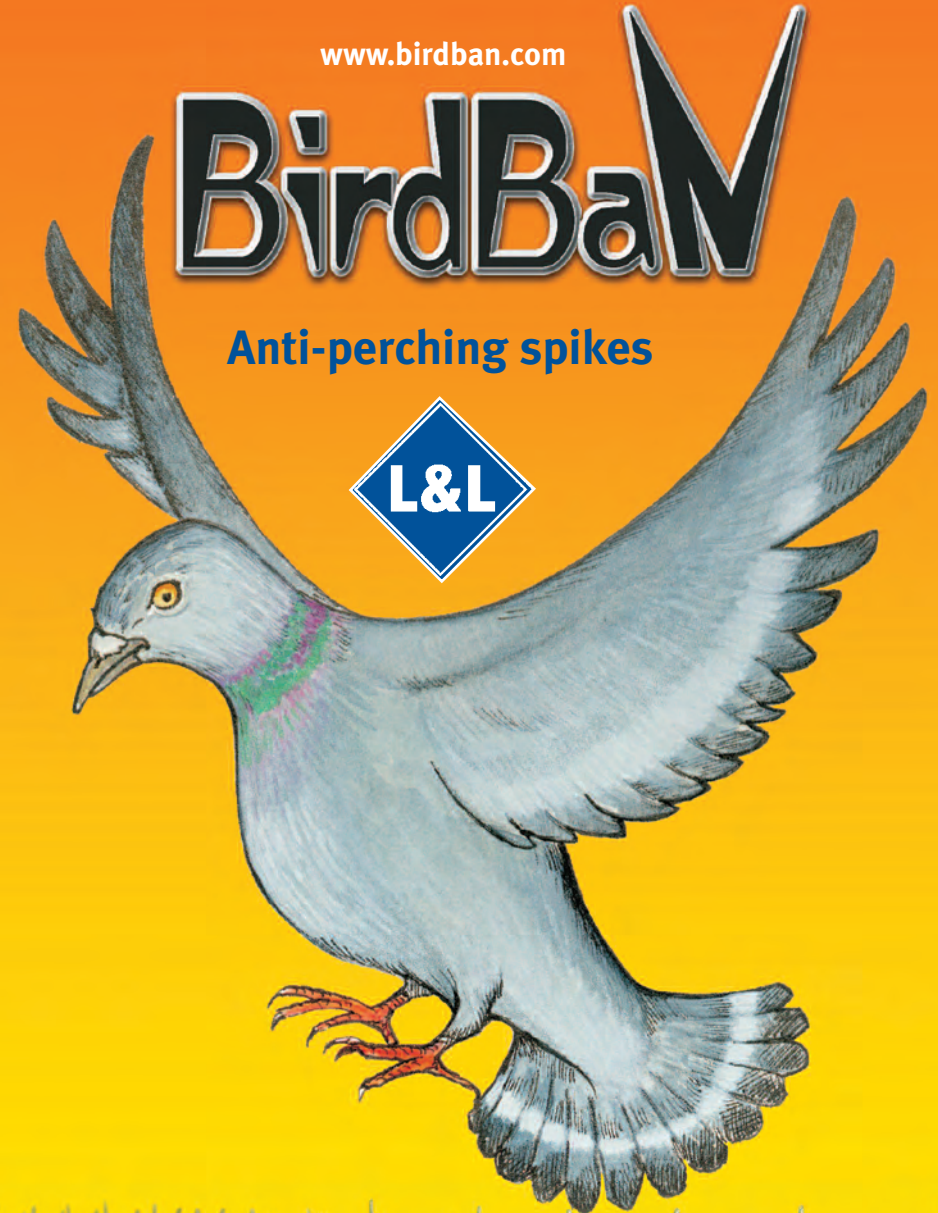


London & Lancashire Rubber Co Ltd, Unit 15, Decimus Park, Kingstanding Way, Tunbridge Wells, Kent TN2 3GP
www.birdban.com

www.birdban.com

BirdBan

Anti-perching spikes





Polycarbonate spikes

BirdBaN

Anti-perching spikes



An effective, non-harmful deterrent for birds up to pigeon size. Birdban spikes are suitable for protecting all pigeon perching/roosting sites such as window sills, ledges, pipes, gutters, TV aerials, signs, chimney stacks and roofs (will also deter cats in some situations).



Manufactured from super strong UV stabilised polycarbonate. Outer spikes have patented snap-off design enabling them to be installed flush to walls or window frames or for narrow installations/infills (also 30mm internal grooves on the base allow for easy length adjustment).



Easy to install using exterior quality silicone adhesive/sealant. (Not supplied). Can also be screw fixed if required.

Also available, gutter attaching clips. Take seconds to attach spikes to gutters (any rim from 1mm to 5mm wide). Also excellent for attaching spikes to aerials, satellite dishes, window boxes, hanging baskets etc.



Available in 2m and 6m display packs, and in 20m, 50m and 100m bulk packs.

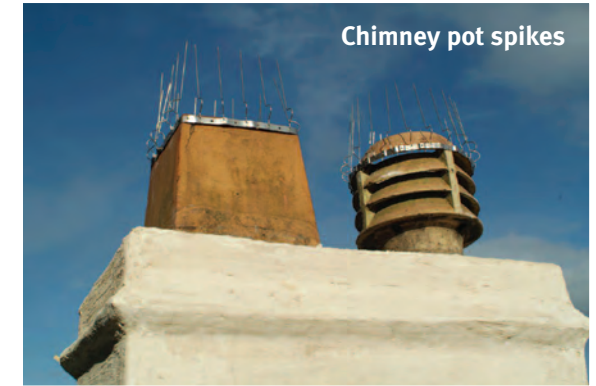
A flexible and durable system for preventing pigeons from landing.

Birdban is the only pigeon proof system you will ever need to stock.



Stainless steel spikes

Also available in 2-row and wider 6-row spikes



Also available: longer length gull spikes

